

SPV7050

INTEGRATED MFM/ENTRY-LEVEL LCD TV PROCESSOR

PRODUCT OVERVIEW

The SPV7050 is a highly integrated SoC for the MFM or Entry-Level LCD TV applications. It provides on-chip functions including high-speed video ADCs with PLL, HDMI 1.2 Rx, TV decoder with 2-D comb filter, 4-pair Audio Line-In, 2-pair Audio Line-Out, one SIF demodulator and audio decoder, 2D de-interlacing, color management, font-based OSD engine, embedded RISC CPU and a dual channels 8-bit LVDS transmitter. It also supports LCD TV up to 1080p input resolution and WUXGA 1920X1200 reduced blanking output resolution. The SPV7050 provides not only the best BOM cost but also good performance for entry level TV system. With Sunplus' other powerful companion chips, the SPV7050 can apply to different TV applications such as pure ATV, DVB-T DTV with recording function, DTMB DTV with recording function, ISDB DTV, multimedia TV and DVD combo TV.

FEATURES

- Complete hardware and software production reference designs for worldwide TV systems
- Integrated HDMI 1.2 compliant receiver with HDCP
- Integrated field-proven worldwide standards video decoder and multi-standard TV sound decoder with audio post processing
- Advanced scaling with moiré cancellation
- Optimized picture setting for MFM/entry level TVs
- Embedded 32-bit RISC CPU & FOSD engine for smooth operation and OSD display
- Embedded VBI data decoder which can support 10 pages Teletext 1.5 without external memory needed, WSS, VPS, closed-caption and V-chip
- Embedded audio DAC for BOM cost saving
- LQFP 128 package for easy implementation on 2 layers PCB

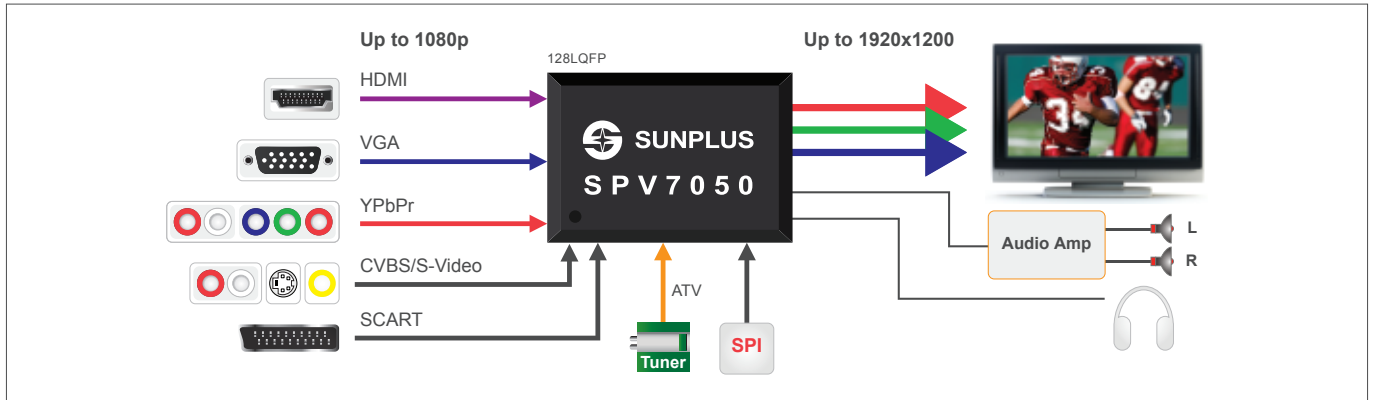
BENEFITS

- Ready for mass production total system solutions for LCD TV, DVB-T DTV with recording function, DTMB DTV with recording function, ISDB DTV, multimedia TV and DVD combo TV

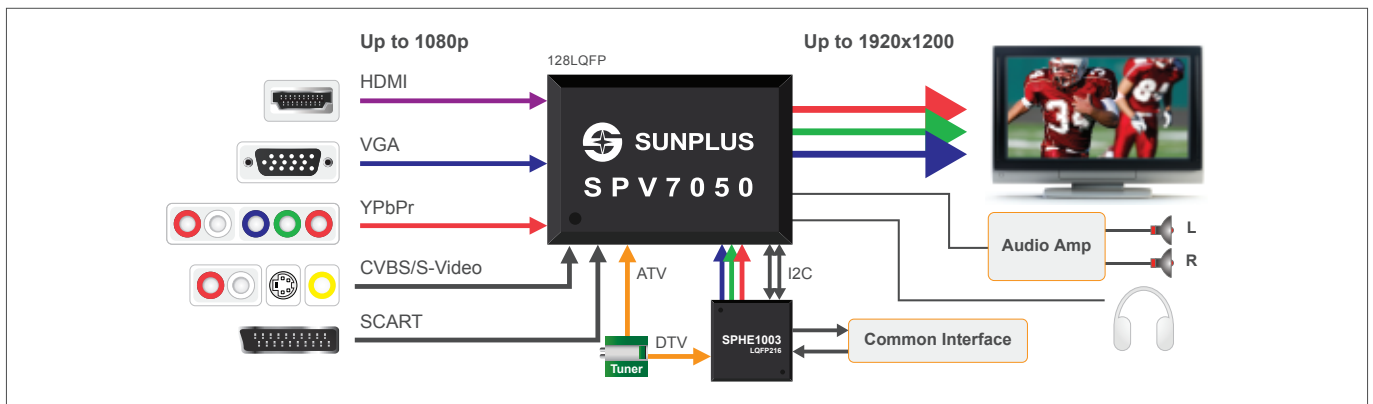
SUNPLUS INTEGRATED MFM/ENTRY-LEVEL LCD TV PROCESSOR: SPV7050

APPLICATIONS

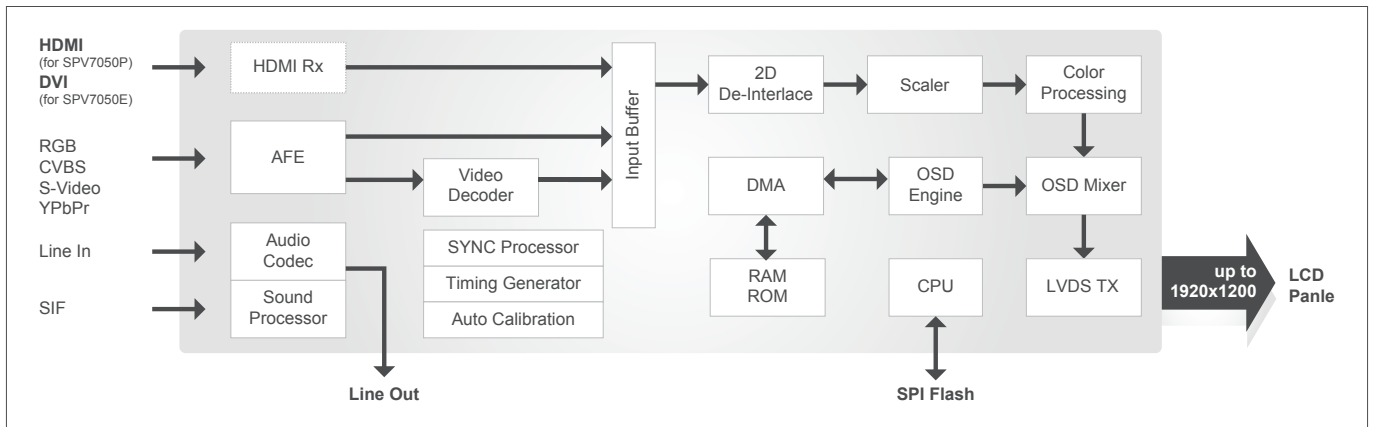
■ **ATV for Southern American, European, Pan-Asian and Russian Market**



■ **DTV for European, Pan-Asian and Russian Market**



BLOCK DIAGRAM



For more information, please contact our sales representative at T: +886-3-5786005 or E-mail to event@sunplus.com.

Sunplus Technology Co., Ltd.

www.sunplus.com

TAIWAN HEADQUARTERS
19, Innovation 1st Road, Hsinchu Science Park, Taiwan 300

SHANGHAI
1077 Zu-Chong-Zhi Road,
Zhang Jiang Hi-Tech Park,
Pudong New Area,
Shanghai, China

JAPAN
502, OAK BLG, 5-34-1,
Higashi-Nippori, Arakawa-ku,
Tokyo 116-0014, Japan

USA
1010E, Union St., Suite 222,
Pasadena, CA. 91106, USA

T: +886-3-5786005
F: +886-3-5786006

T: +86-21-51326888
F: +86-21-38953308

T: +81-3-38058698
F: +81-3-38058598

T: +1-626-6838822
F: +1-626-6838882